

Ditec DAB105

Automation for swing doors. Motor opening, spring and motor closing

- High performance with up to **200 kg door weight** and mechanical servo-assisted operator, encoder controlled
- Safe & reliable, Ditec DAB105 complies with all European directives including EN 16005.
- Ditec DAB105 has obtained SP SITAC and Exova Warrington Test Report certification for use on fire doors and **is tested up to 1,000,000 cycles**
- The **numerous operation modes** (Low Energy, PUSH&GO, Power Assist, sensor control, push-button control, etc.), as well as the possibility of easily managing double-wing swing opening make the Ditec DAB105 automation system an ideal solution that easily adapts to any requirement



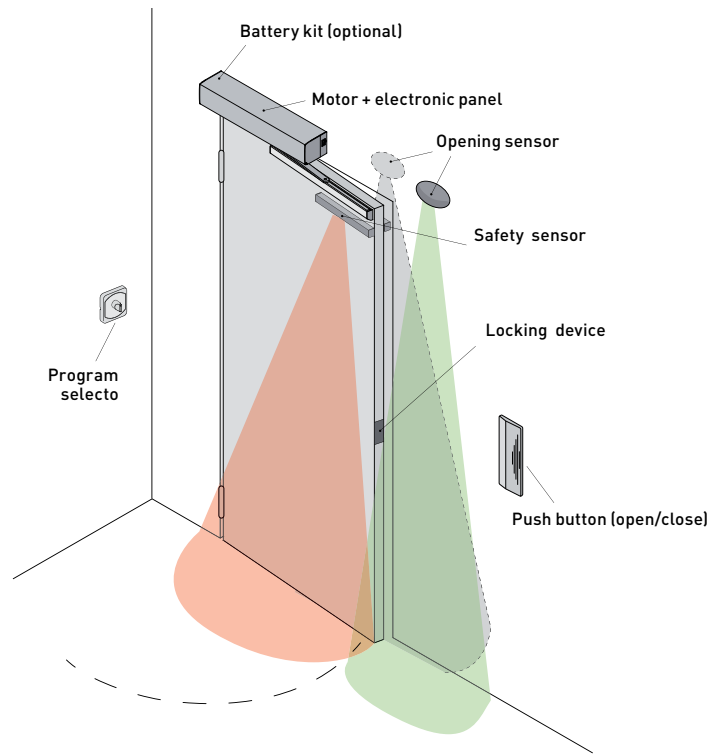
Product specifications

EN

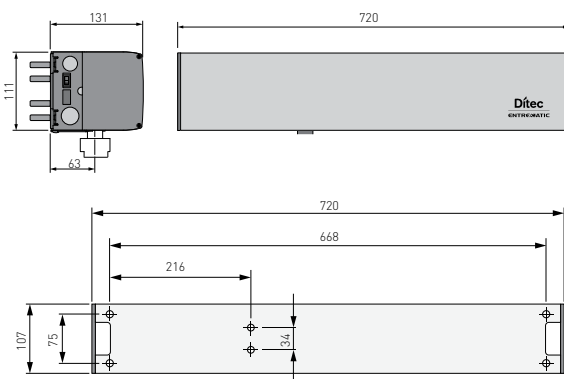
Technical specifications

	DAB105
Description	motor opening, spring and motor closing
Stroke control	encoder
Maximum capacity	200 kg
Door wing opening angle	110°
Lifecycle	1,000,000 cycles
Power supply	110-230 V AC / 50-60 Hz
Consumption	75 W
Accessories power supply	24 V DC / 0.4 A
Electrically operated lock (with optional card DAB905ESA)	12 V = / 0.5 A - 24 V = / 0.25 A
Batteries (with optional card DAB905ESE)	■ (optional)
Opening time	3÷6 s / (0-80°) (adjustable)
Closing time	3÷6 s / (90°-10°) (adjustable)
Hold open time	1,5÷30 s
Operating temperature	-20°C / +45°C (-10°C / +50°C with batteries)
Protection rating	IP20
Product dimensions mm (H x P x L)	111x131x720
Automation weight	13,9 kg
Control panel	DAB105CU
ODS - Obstruction detection system	■
Low energy mode	■
Push opening - PUSH & GO	■
Emergency Stop / Emergency Reverse	■
Safety Test	■
Operator status control (with optional card DAB905ESA)	■ (optional)

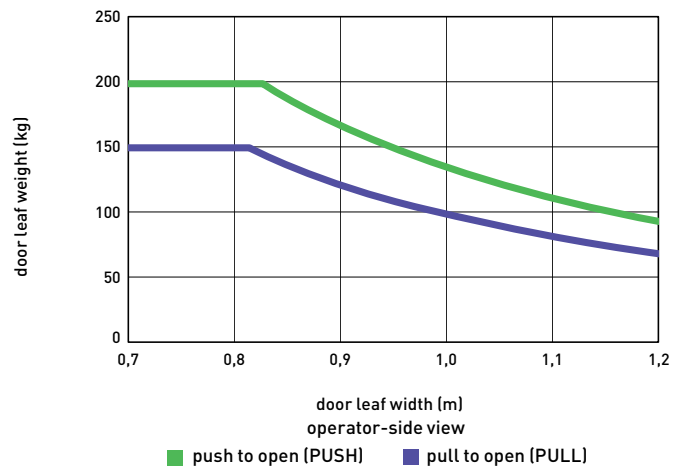
Installation type



Dimension



Operation diagram



Relevant Directives and Standards

